

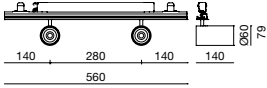


linebox40  
5153 960\_961



5153 960 319B	2x10,3W.	2x1.405	136,4lm/W.	spot	3.000
5153 960 325B	2x10,3W.	2x1.405	136,4lm/W.	medium	3.000
5153 960 337B	2x10,3W.	2x1.405	136,4lm/W.	flood	3.000
5153 960 419B	2x10,3W.	2x1.486	144,3lm/W.	spot	4.000
5153 960 425B	2x10,3W.	2x1.486	144,3lm/W.	medium	4.000
5153 960 437B	2x10,3W.	2x1.486	144,3lm/W.	flood	4.000
5153 961 319B	2x16,8W.	2x2.422	144,2lm/W.	spot	3.000
5153 961 325B	2x16,8W.	2x2.422	144,2lm/W.	medium	3.000
5153 961 337B	2x16,8W.	2x2.422	144,2lm/W.	flood	3.000
5153 961 419B	2x16,8W.	2x2.526	150,4lm/W.	spot	4.000
5153 961 425B	2x16,8W.	2x2.526	150,4lm/W.	medium	4.000
5153 961 437B	2x16,8W.	2x2.526	150,4lm/W.	flood	4.000

code module W lm efficiency beam angle °K

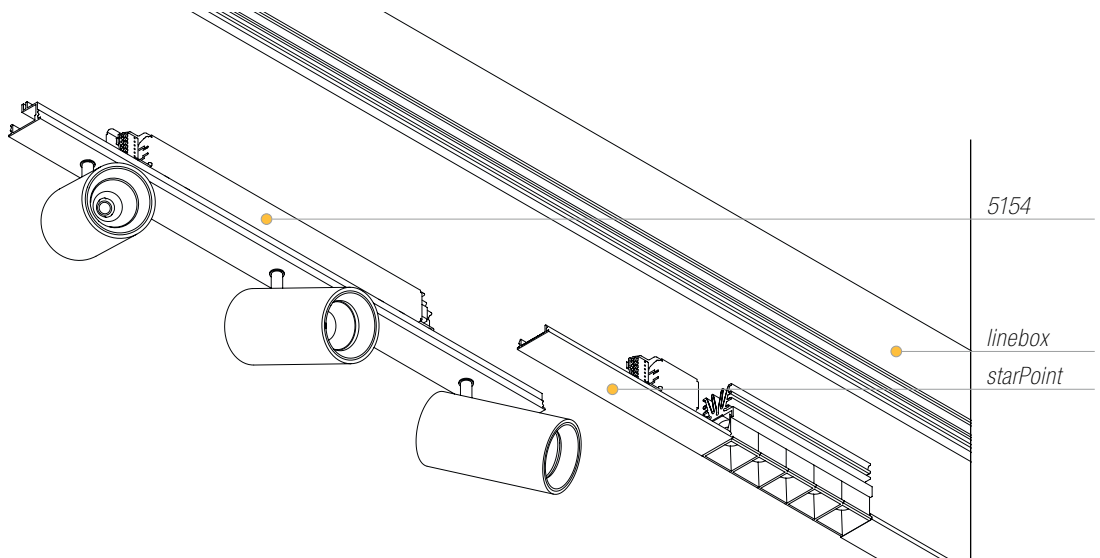


colores\_colors



materiales\_materials

aluminio inyectado  
y acero  
die cast aluminium  
and steel



5154

linebox  
starPoint

